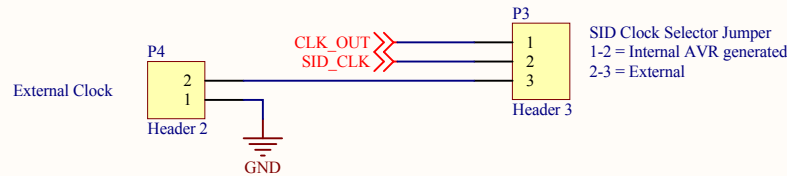
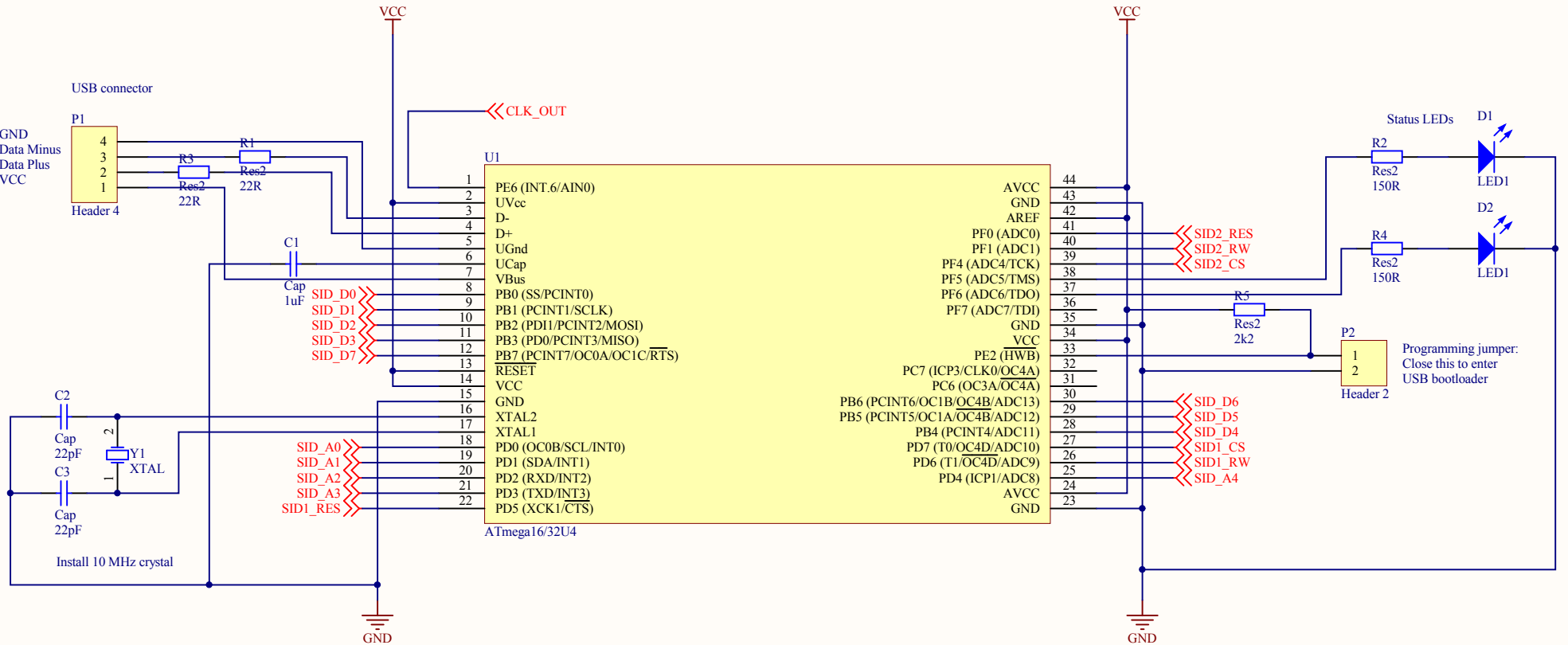
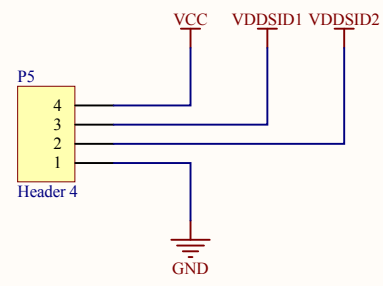


4 = USB GND
 3 = USB Data Minus
 2 = USB Data Plus
 1 = USB VCC

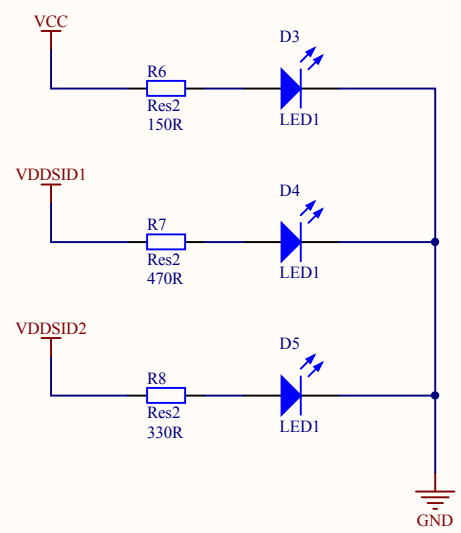


Title		
INSIDIOUS Dual SID Synthesizer - MCU		
Size	Number	Revision
A4		A
Date:	12.6.2011	Sheet of
File:	E:\Mikko\...\MCU.SchDoc	Drawn By: Mikko Ristilä

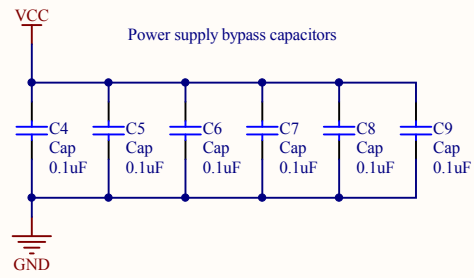
VCC = Digital supply for MCU 6581 and 8580, 5 V
 VDDSID1 = Analog supply for 6581, 12 V
 VDDSID2 = Analog supply for 8580, 9 V



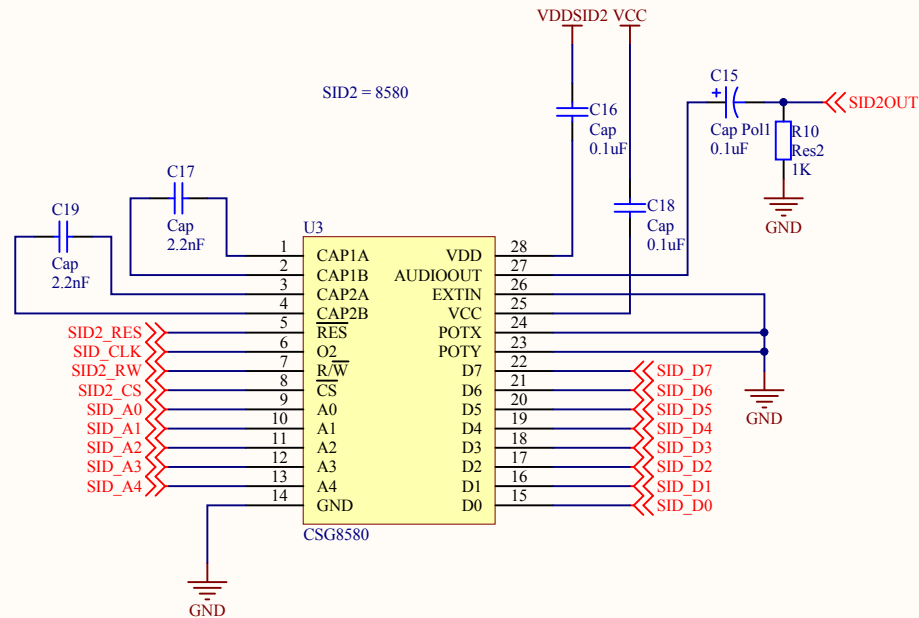
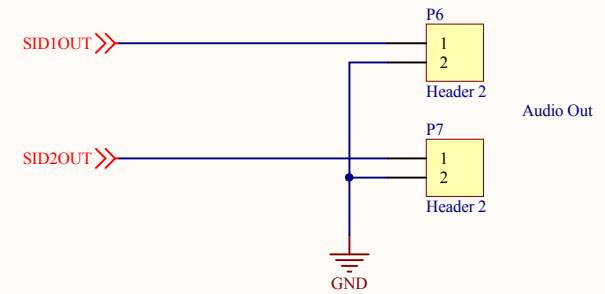
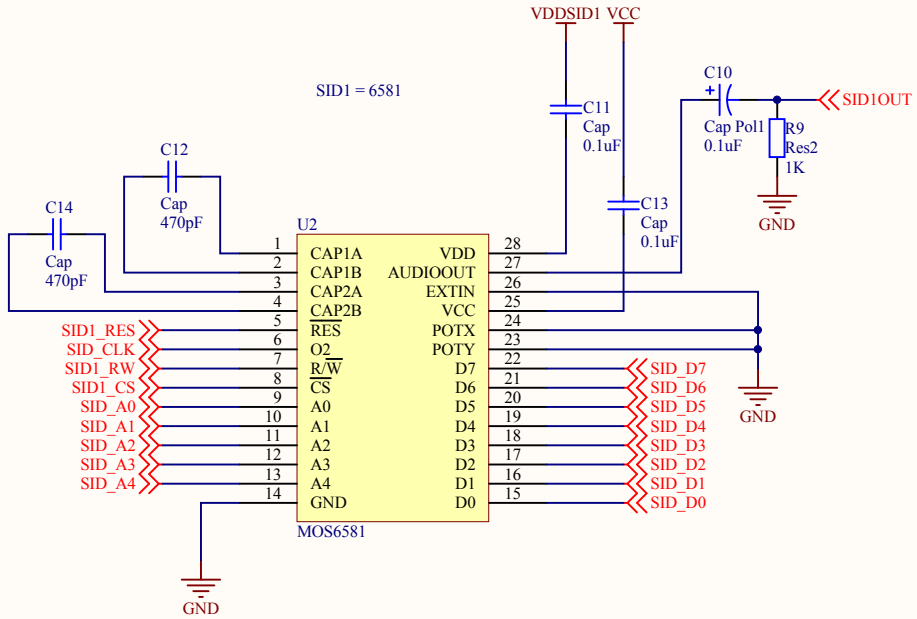
"Power OK" LEDs



Power supply bypass capacitors



Title		
INSIDIOUS Dual SID Synthesizer - Power Supply Unit		
Size	Number	Revision
A4		A
Date:	12.6.2011	Sheet of
File:	E:\Mikko\...\PSU.SchDoc	Drawn By: Mikko Ristilä



Title		
INSIDIOUS Dual SID Synthesizer - SIDs		
Size	Number	Revision
A4		A
Date:	12.6.2011	Sheet of
File:	E:\Mikko\...\SIDs.SchDoc	Drawn By: Mikko Ristilä